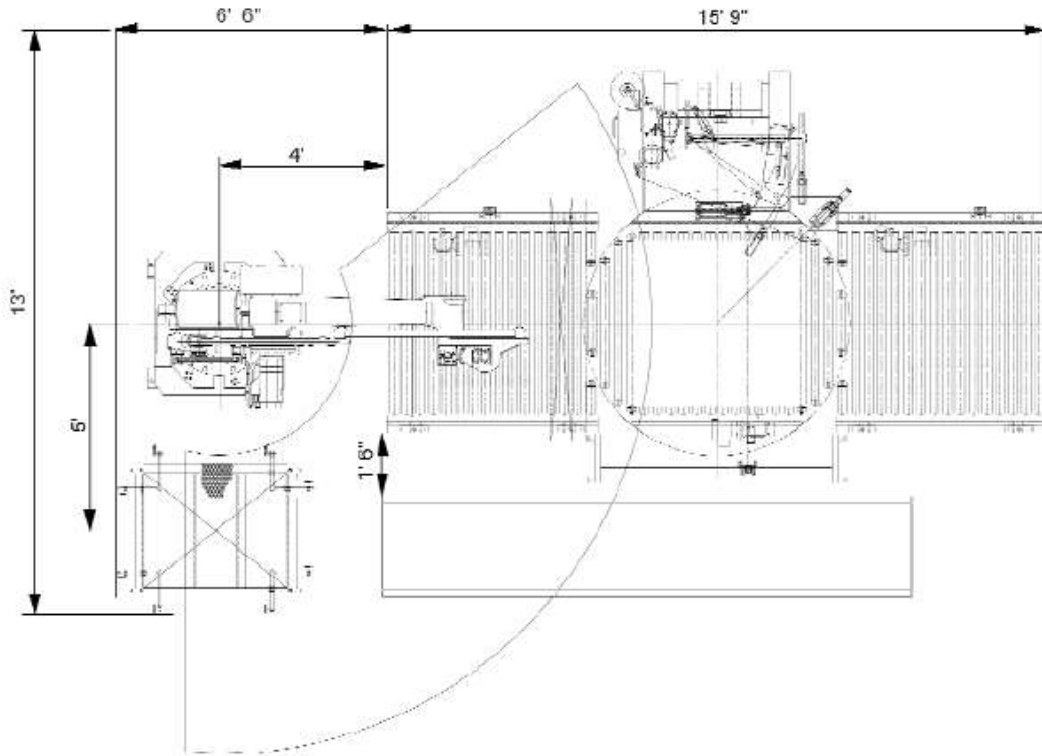


Orion Mini-System

Typical Layout Dimensions



Shown is a basic setup. Virtually every Mini-System layout will vary due to the specific parameters of the application. Your dimensions will vary from those shown above. All dimensions approximate. Orion Packaging, Brenton Engineering & FANUC robotics reserve the right to change specifications without notice.