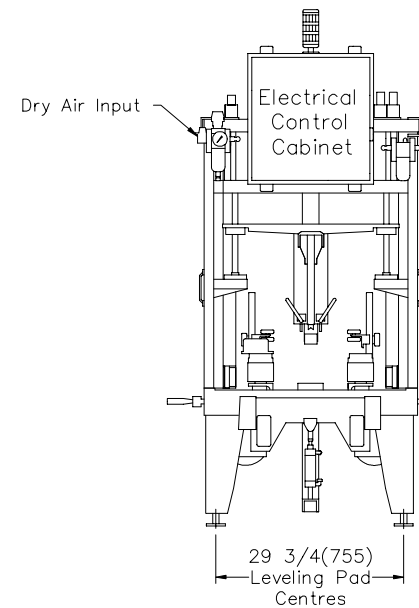
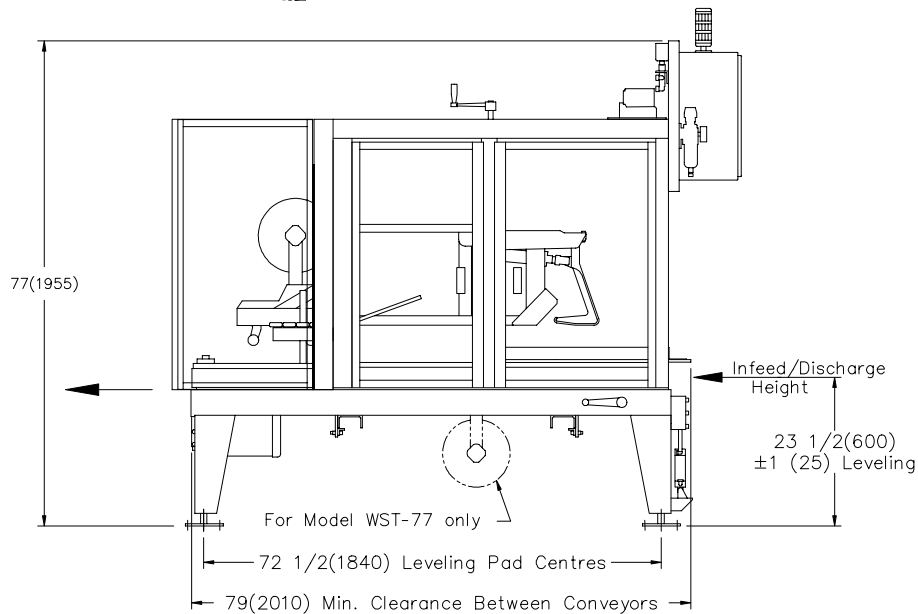
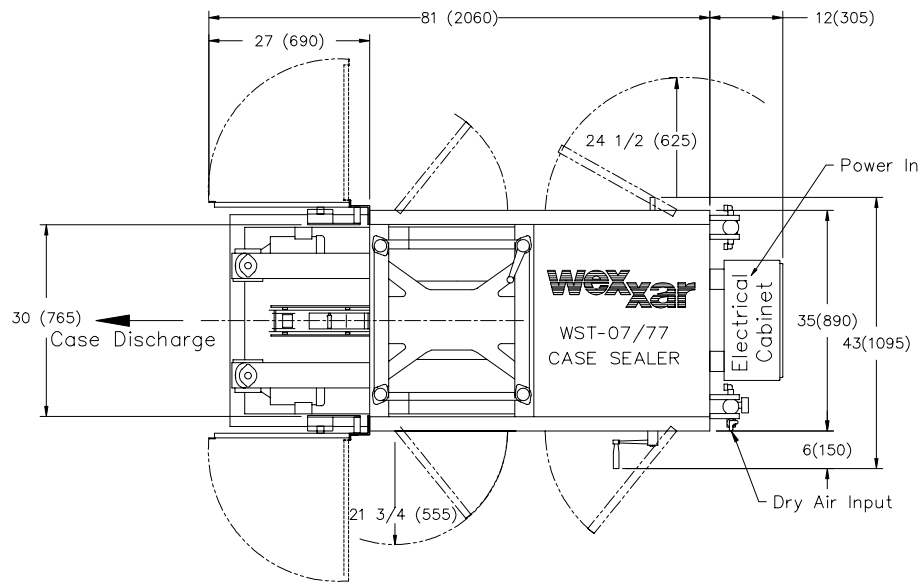


Date  
10-APR-01  
Drawing No.  
70-485



U.S. 773 478-1880  
CANADA 604 930-9300  
TELEPHONE  
773 478-1879  
FAX  
604 930-9368

773 478-1880  
604 930-9300  
773 478-1879  
604 930-9368  
TITLE  
WST-07/77: TOP & BOTTOM TAPE CASE SEALER



**NOTES:**

- 1) Dimensions In Inches (Millimeters)
- 2) Compressed Air Requirements:  
0.03 Cu. Ft. (1L) Per Cycle  
At 90 PSI (6 Bar)  
Supply Line Min. 3/4 (20) I.D.
- 3) Electrical Requirement;  
1 Kilowatt, 3 Phase, Standard 230V.
- 4) Some Extra Cost Options Shown.  
Dimensions and Specifications  
Subject to Change and Depend  
on Specific Case Characteristics  
and Options Ordered.
- 5) Maximum Infeed Conveyor Speed  
55 Feet per Minute (16.5 Meters per  
Minute). Minimum Take Away Conveyor  
Speed 90 Feet per Minute (27.5 Meters  
per Minute). 60 Hz Operation.