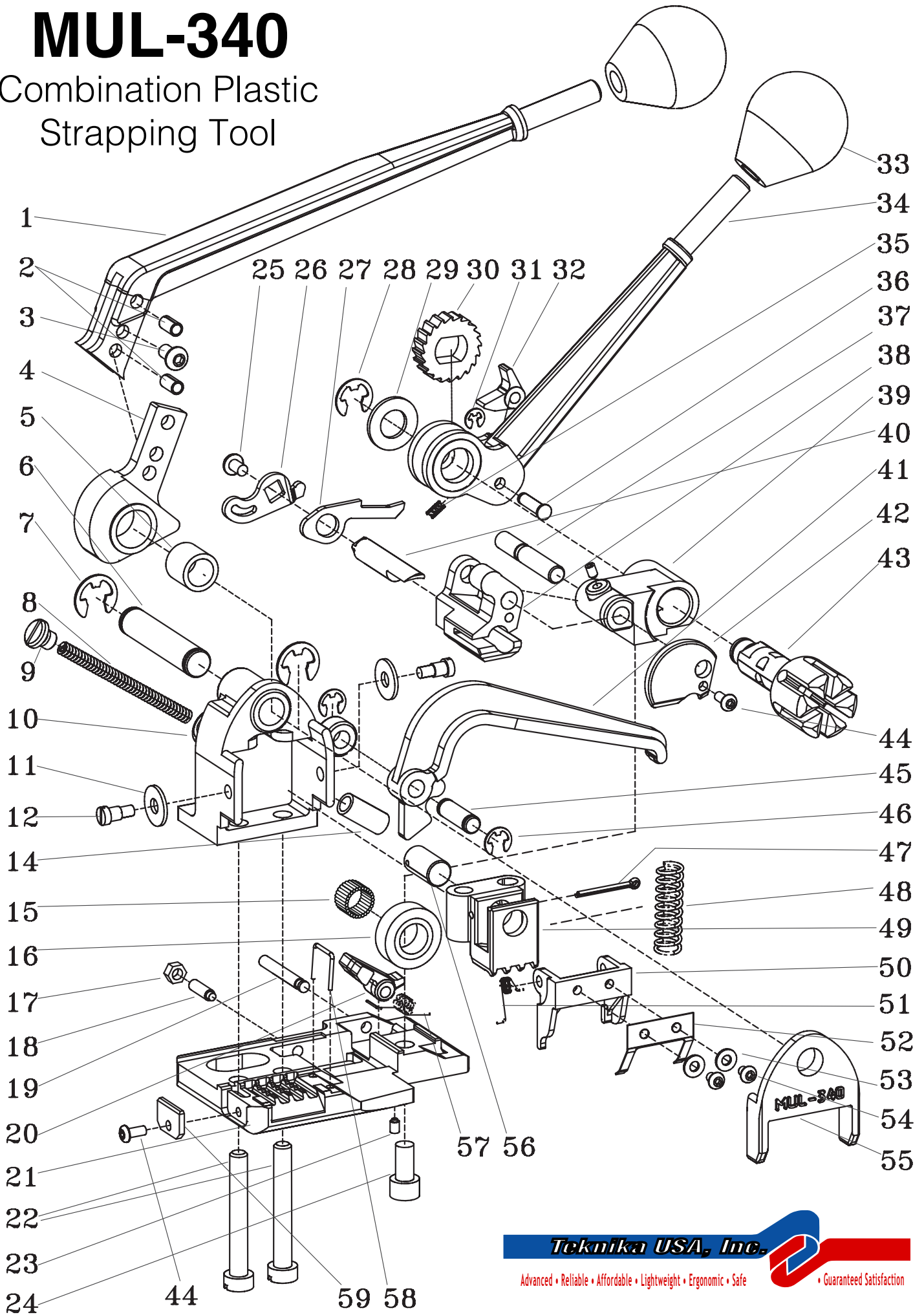


# MUL-340

## Combination Plastic Strapping Tool



# MUL-340 PART LIST

## COMBINATION TOOL FOR PP AND CORD STRAPPING

KEY NO.	PART DESCRIPTION	QUANTITY
340-01	SEALING HANDLE	1
340-02	SPRING PIN 1/4 X 5/8	2
340-03	BUTTON CAP SCREW M6X16	1
340-04	SEALING HEAD	1
340-05	BEARING	1
340-06	SHAFT	1
340-07	E-RING 1/2	2
340-08	MAIN SPRING	1
340-09	SCREW	1
340-10	FRAME	1
340-11	PLANE WASHER 6	2
340-12	SCREW	2
340-14	BUSHING	1
340-15	NEEDLE ROLLER	28
340-16	ROLLER	1
340-17	NUT M5	1
340-18	SET SCREW M5X16	1
340-19	SHAFT	1
340-20	TENSION PAWL	1
340-21	BASE	1
340-22	SCREW	2
340-23	SET SCREW M4X6	2
340-24	CAP SCREW M8X16	1
340-25	BUTTON HEAD CAP SCREW M5X8	1
340-26	ARM	1
340-27	RETURN ARM	1
340-28	E-RING 7/16	1
340-29	PLANE WASHER 12	1
340-30	RATCHET WHEEL	1
340-31	E-RING 3/16	1
340-32	TENSION PAWL LONG	1
340-33	KNOB	2
340-34	TENSION HANDLE	1
340-35	SPRING	1
340-36	PIN	1
340-37	SHAFT	1
340-38	GRIPPER HEAD	1
340-39	TENSION HOUSING	1
340-40	CUTTER	1
340-41	HANDLE	1
340-42	COVER	1
340-43	WINDLASS	1
340-44	BUTTON HEAD CAP SCREW M4X10	2
340-45	SHAFT	1
340-46	E-RING 5/16	2
340-47	SPRING PIN 3/32X1	1
340-48	PUNCH SPRING	1
340-49	PUNCH HEAD	1
340-50	LOCK GUIDE	1
340-51	LOCK GUIDE SPRING	1
340-52	GUIDE SPRING	1
340-53	PLANE WASHER 4	2
340-54	BUTTON HEAD CAP SCREW M4X6	2
340-55	SIDE COVER	1
340-56	PIN	1
340-57	TENSION PAWL SPRING	1
340-58	BOTTOM WIRE	1
340-59	STRAP GUIDE	1