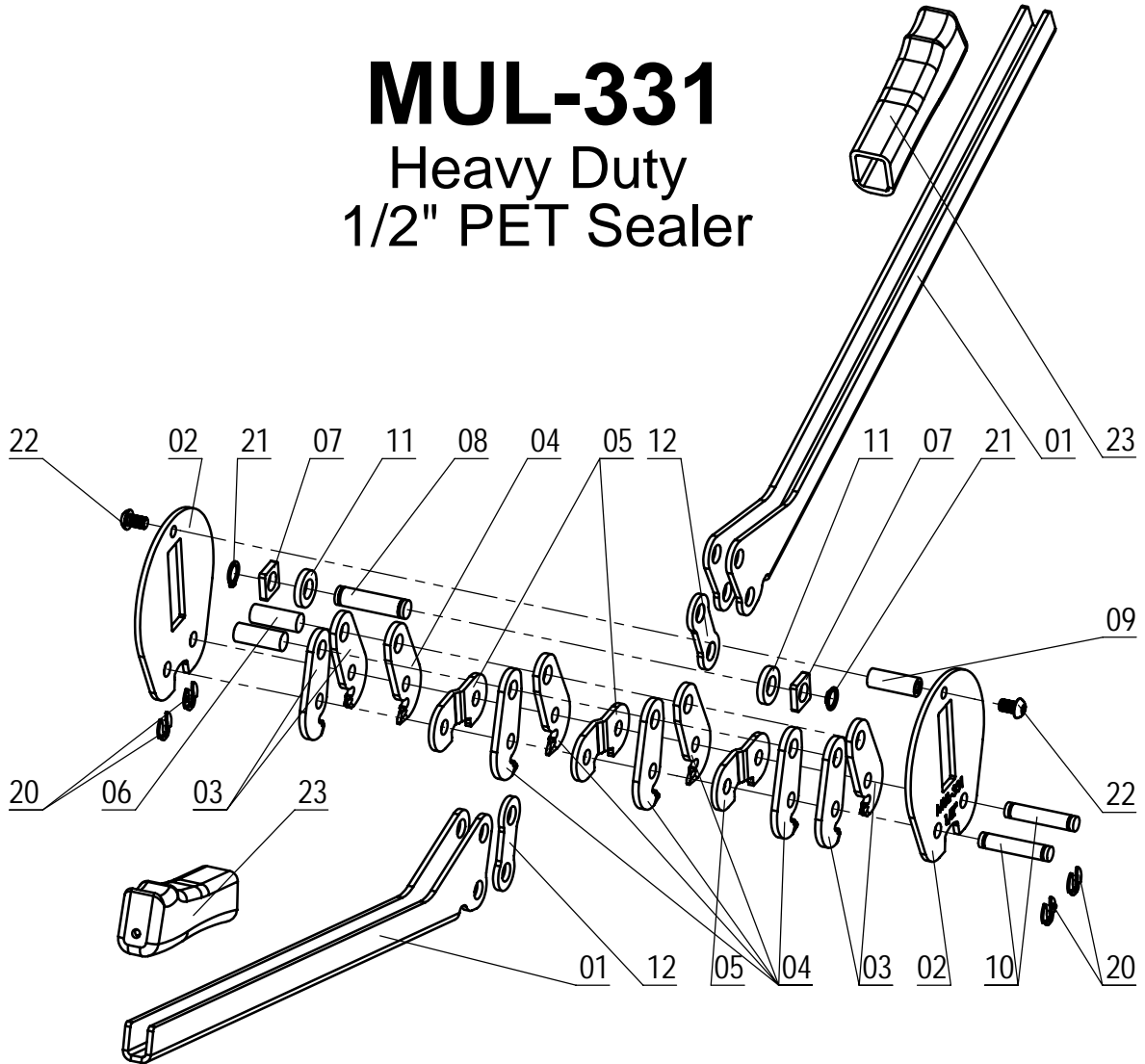


MUL-331 Heavy Duty 1/2" PET Sealer



No	KEY No	PART DESCRIPTION	QUANTITY
01	331-01	HANDLE	2
02	331-02	SIDE PLATE	2
03	331-03	OUTER JAW	4
04	331-04	INNER JAW	6
05	331-05	ANVIL	3
06	331-06	JAW PIN	2
07	331-07	SLIDE PLATE	2
08	331-08	SLIDE PIN	1
09	331-09	SPACER PIN	1
10	331-10	ANVIL PIN	2
11	331-11	WASHER	2
12	331-12	ARM	2
20	331-20	KLIPRING	4
21	331-21	RETAINING RING	2
22	331-22	SCREW M6x10	2
23	331-23	HANDLE GRIP	2