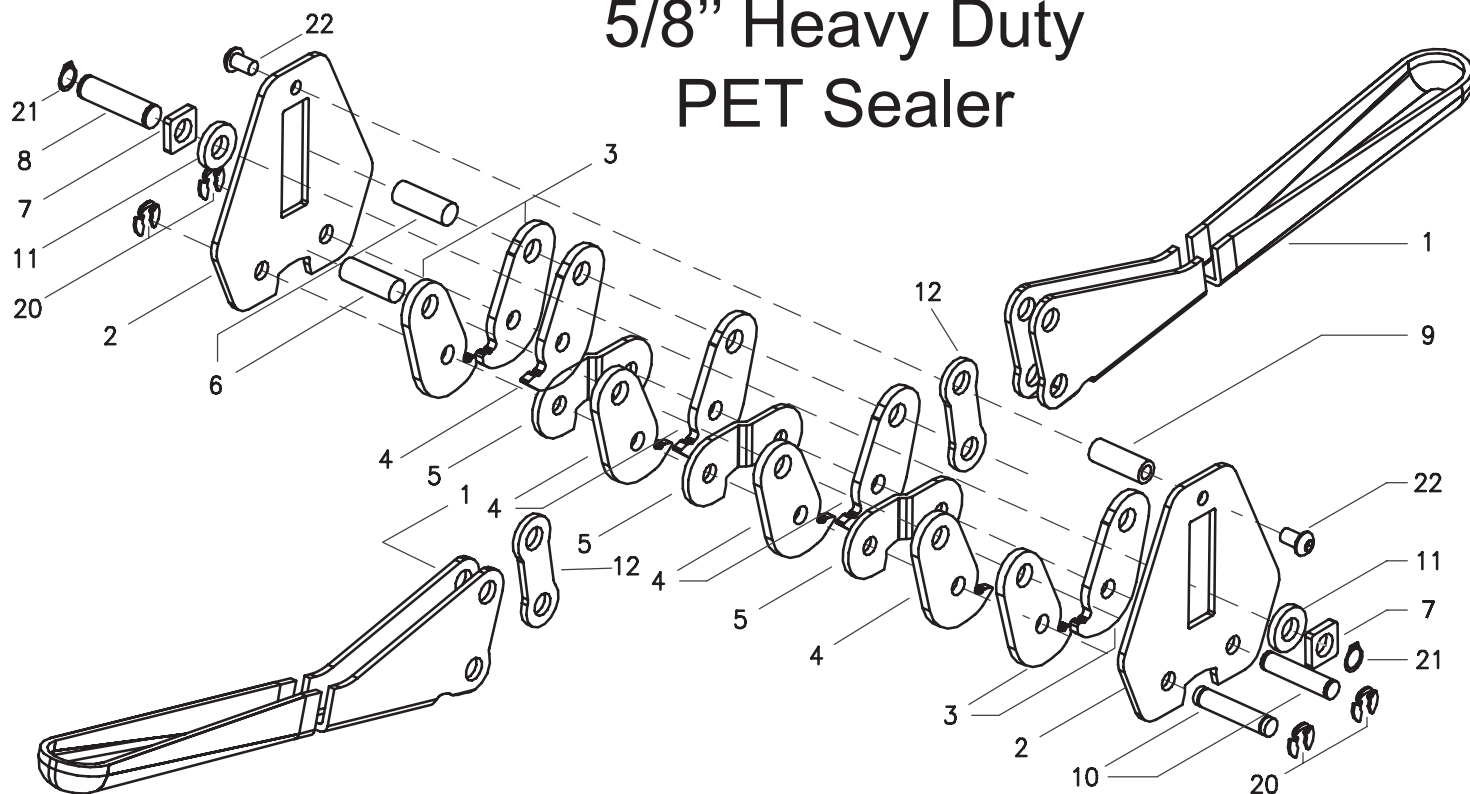


MUL-330 5/8" Heavy Duty PET Sealer



No	KEY No	PART DESCRIPTION	QTY.
1	330-01	HANDLE	2
2	330-02	SIDE PLATE	2
3	330-03	OUTER JAW	4
4	330-04	INNER JAW	6
5	330-05	ANVIL	3
6	330-06	JAW PIN	2
7	330-07	SLIDE PLATE	2
8	330-08	SLIDE PIN	1

No	KEY No	PART DESCRIPTION	QTY.
9	330-09	SPACER PIN	1
10	330-10	ANVIL PIN	2
11	330-11	SLIDE RING	2
12	330-12	ARM	2
20	330-20	KLIPRING	4
21	330-21	RETAINING RING	2
22	330-22	BUTTON HEAD CAP	
		SCREW M6x10	2