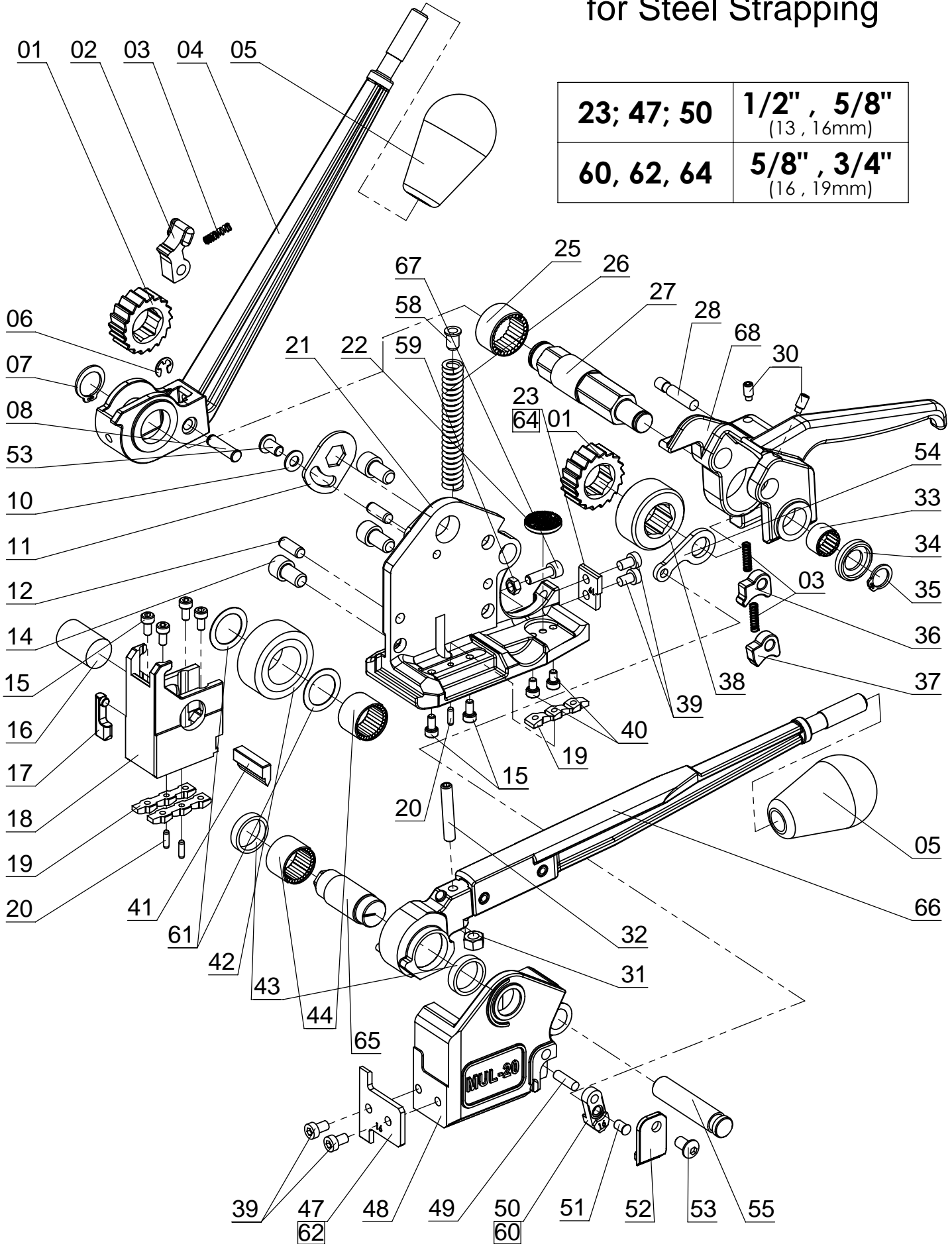


# MUL-20

## Sealless Combination Tool for Steel Strapping



<b>23; 47; 50</b>	<b>1/2" , 5/8"</b> (13 , 16mm)
<b>60, 62, 64</b>	<b>5/8" , 3/4"</b> (16 , 19mm)

# MUL-20 PART LIST

## Sealless Combination Tool for Steel Strapping

No	KEY No	PART DESCRIPTION	QUANTITY
01	20-01	RATCHET WHEEL	2
02	20-02	TENSION PAWL	1
03	20-03	SPRING	3
04	20-04	TENSION HANDLE	1
05	20-05	KNOB	2
06	20-06	E-RING EXTERNAL SERIES 7/32	1
07	20-07	HEAVY DUTY EXTERNAL RETAINING RING 5/8	1
08	20-08	PIN	1
10	20-10	WASHER	1
11	20-11	ADJUSTMENT PLATE	1
12	20-12	DOWEL PIN 6x16	2
14	20-14	SCREW M8x14	3
15	20-15	SCREW M4x8	6
16	20-16	DIE HOLDER AXLE	1
17	20-17	STRAP LIFTER	1
18	20-18	DIE HOLDER	1
19	20-19	DIE	3
20	20-20	DOWEL PIN	3
21	20-21	FRAME (sold as FRAME assembled only)	1
22	20-22HT	CLUTCH PLUG	1
23	20-23	STRAP GUIDE, REAR 5/8" - 3/4"	1
25	20-25	LARGE BEARING	1
26	20-26	FEED WHEEL SUPPORT SPRING	1
27	20-27	FEED WHEEL SHAFT	1
28	20-28	RETAINING PAWL SHAFT	1
30	20-30	SET SCREW M5x10	2
31	20-31	NUT M6	1
32	20-32	ADJUSTMENT SCREW M6x35	1
33	20-33	SMALL BEARING	1
34	20-34	WASHER	1
35	20-35	HEAVY DUTY EXTERNAL RETAINING RING 1/2	1
36	20-36	RETAINING PAWL, LONG	1
37	20-37	RETAINING PAWL, SHORT	1
38	20-38HT	FEED WHEEL	1
39	20-39	SCREW M5x10	4
40	20-40	SCREW M4x8	2
41	20-41	CUTTER BLADE	1
42	20-42	CAM FOLLOWER	1
43	20-43	BUSHING	2
44	20-44	DIE HOLDER BEARING	2
47	20-47	STRAP GUIDE, FRONT 5/8" - 3/4"	1
48	20-48	SIDE COVER (sold as FRAME assembled only)	1
49	20-49	PIN	1
50	20-50	STRAP GUIDE PAWL 5/8" - 3/4"	1
51	20-51	PIN	1
52	20-52	COVER	1
53	20-53	SCREW M6x10	2
54	20-54	GUIDE ARM	1
55	20-55	FEED WHEEL SUPPORT SHAFT	1
58	20-58	SPRING BUSHING	1
59	20-59	NUT M5	1
60	20-60	STRAP GUIDE PAWL 1/2" - 5/8"	1
61	20-61	WASHER	2
62	20-62	STRAP GUIDE, FRONT 1/2" - 5/8"	1
64	20-64	STRAP GUIDE, REAR 1/2" - 5/8"	1
65	20-65	ECCENTRIC SHAFT	1
66	20-66	TENSION HANDLE	1
67	20-67	GRIPPER ADJUSTMENT SCREW M5x16	1
68	20-68	FEED WHEEL SUPPORT HANDLE	1